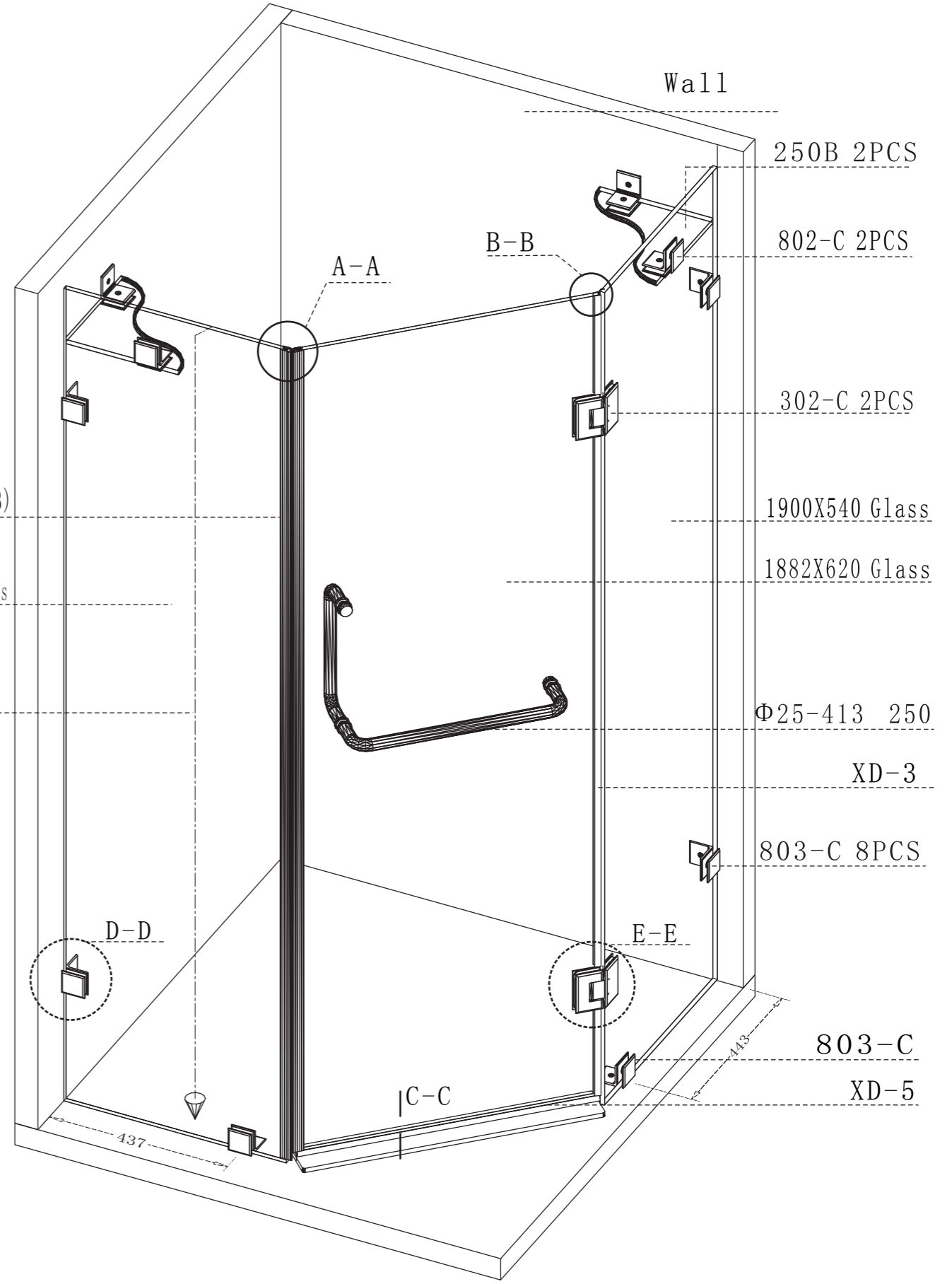


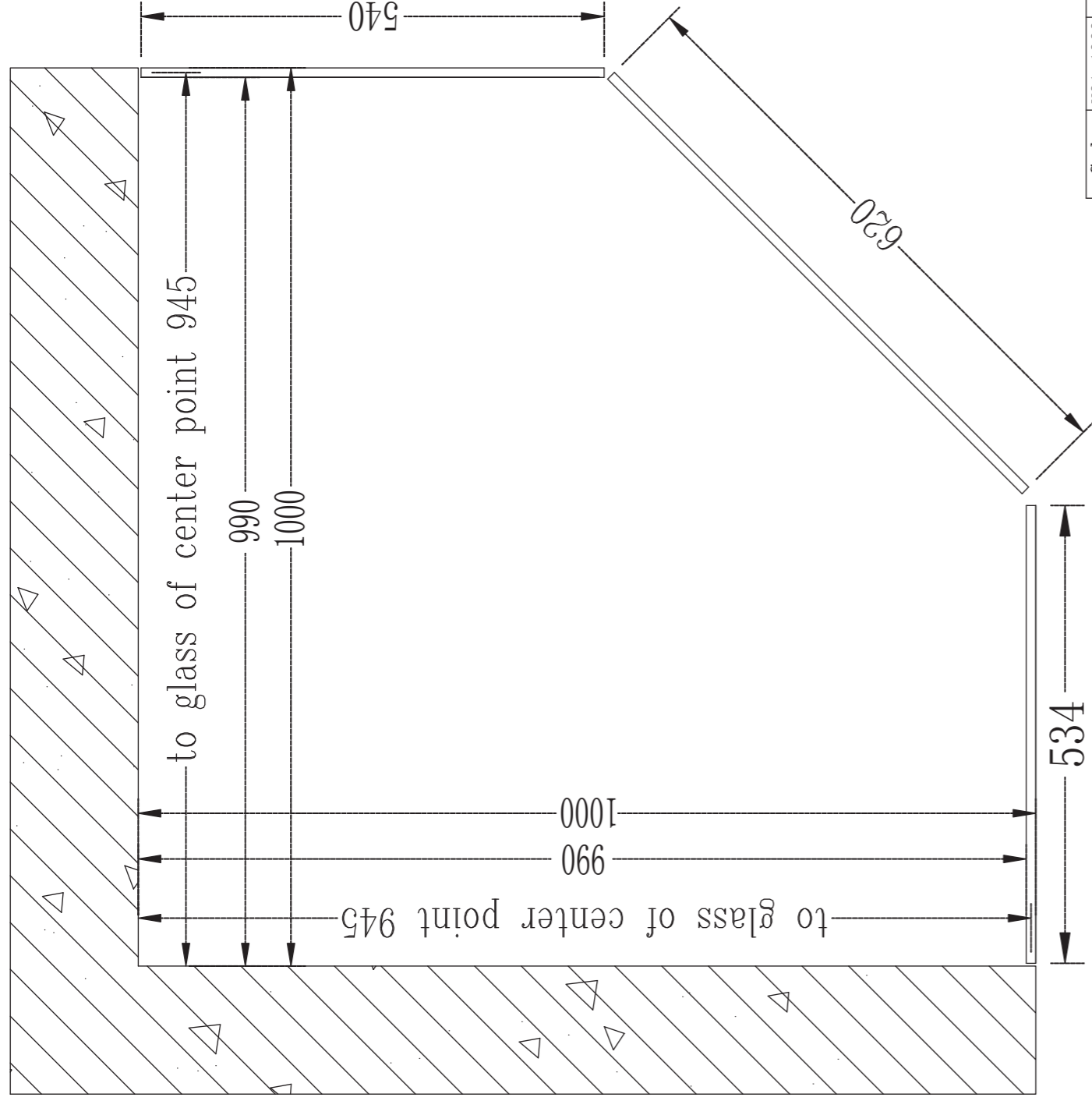
Code	Y01-1000	ordinal number	4
contents of drawings		panel joint figure	

Plumbing (no proffer)
Warranty vertical

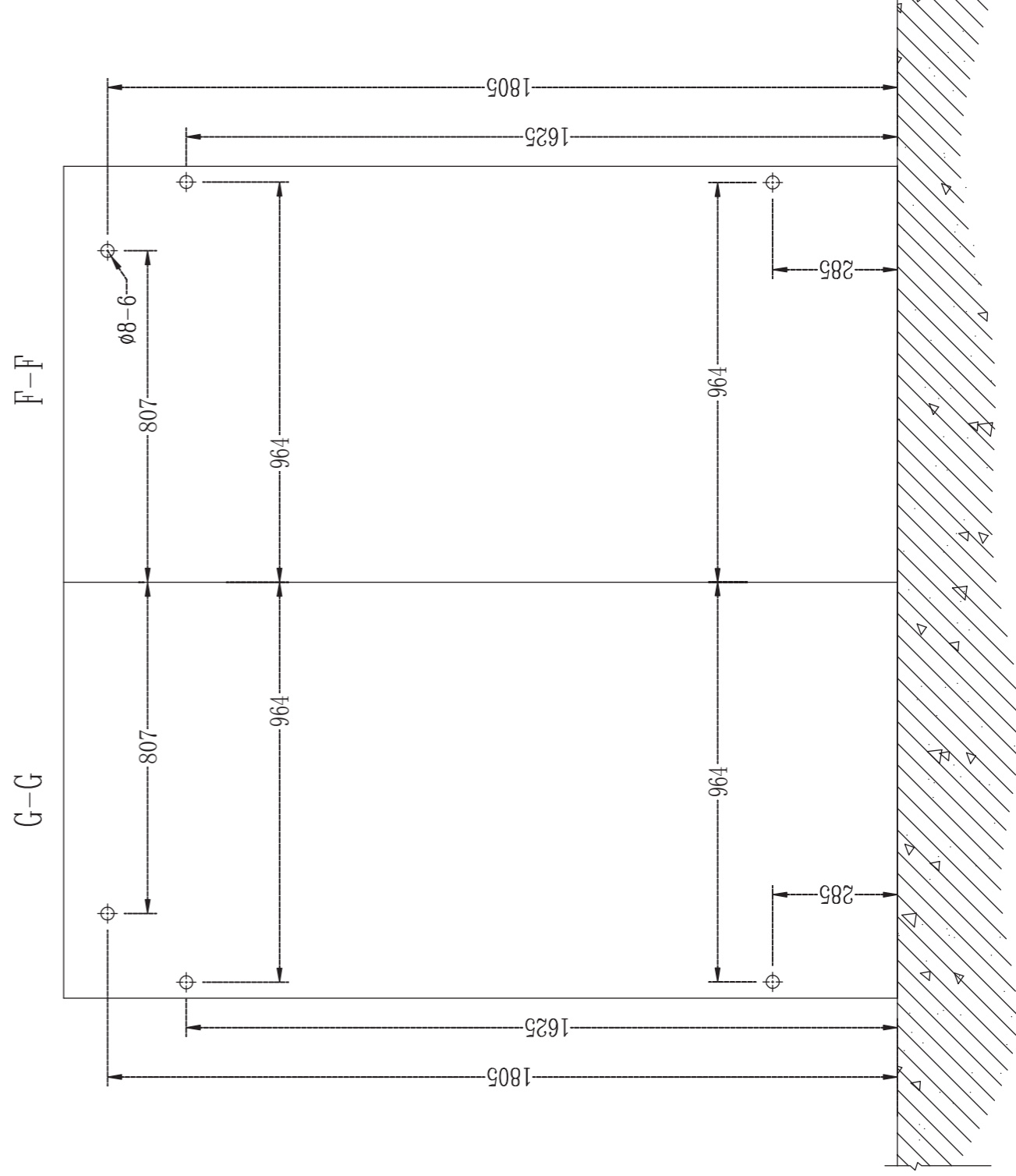
XD-8 (A+B)
1900X534 Glass



Code	Y01-1000	ordinal number	1
contents of drawings		three-dimensional structure	



Code	Y01-1000	ordinal number	2
contents of drawings		glass fitting arrangement	



Code	Y01-1000	ordinal number	3
contents of drawings		punching in wall face of location map	

spread of elevation drawing