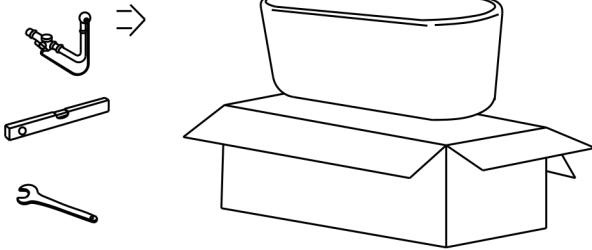
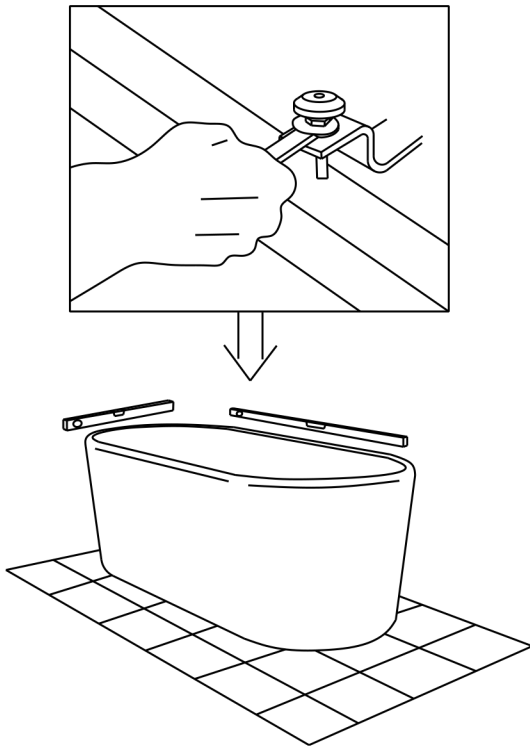


# INSTALLATION INSTRUCTIONS

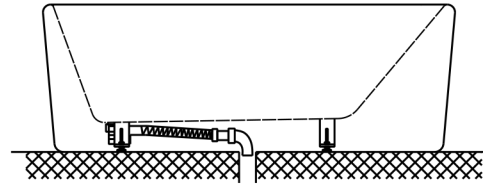
- 1.** Prepare the bathtub installation tools and open the packing and take out the bathtub ,put it at the installation position.



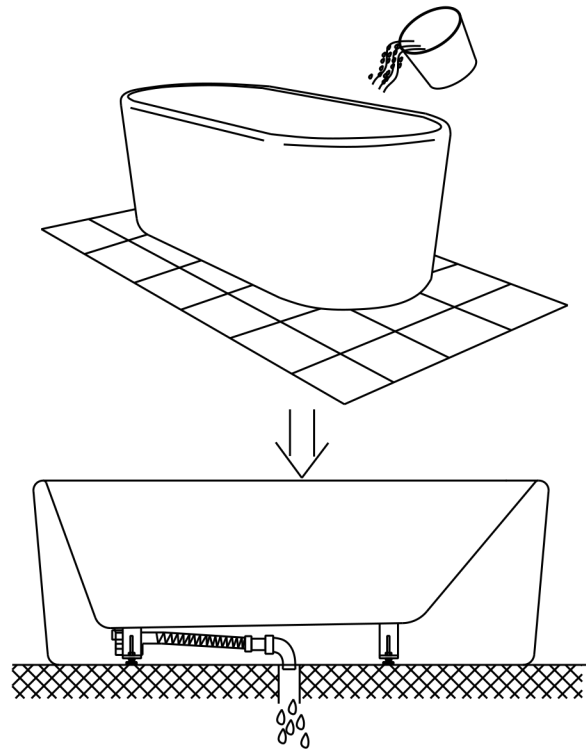
- 2.** Adjust the foot screws to land all its feet, meanwhile adjust it to a level which can drain water smoothly.



- 3.** Connect the drain pipe.



- 4.** Fill the bathtub with water and make a test ,keep it in a good condition!



**Warning**

Please use soft material to cover the tub during installation so as to prevent it from being scratched.