

**AB** AZURA  
BATHWARE



Tel: (+613) 9791 5898  
Fax: (+613) 9791 3718

Email: [info@azurabathware.com.au](mailto:info@azurabathware.com.au)  
Website: [www.azurabathware.com.au](http://www.azurabathware.com.au)  
Address: Factory 1, 272-284 Frankston-Dandenong Rd,  
Dandenong South 3175.

**AB** AZURA  
BATHWARE

*Bath Collection*  
2025/26







## FREESTANDING BATH

---

### ROUND

03 ARCADIA

### FLUTED

05 HENLEY

07 LAMONT

09 TRINA

11 KIRA

12 ANIKA

### FREESTANDING

13 NEVADA

14 OLIVIA

15 CHARMING

16 NOVA

### BACK TO WALL

17 HELIX

19 HANNAH

### BACK TO CORNER

20 HARPER

---







# ARCADIA

**Code:** SY-999

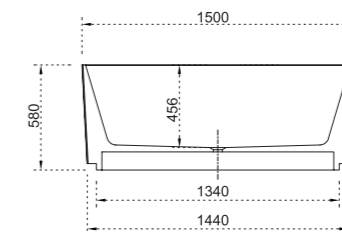
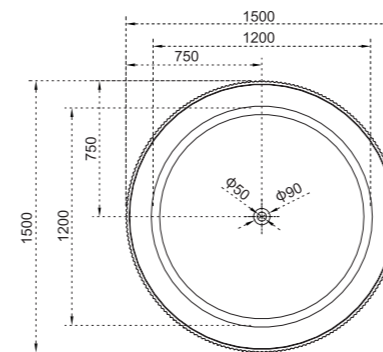
**Features:**

- Fluted Feature Round Design
- Adjustable Levelling Legs
- Sanitary Grade Acrylic
- Available in 1500mm

**Colour:** Gloss White



**Overflow**



**Size:** 1500(L)\*1500(W)\*580(H) mm  
**Net Weight:** 56kg





# HENLEY

**Code:** SY-991

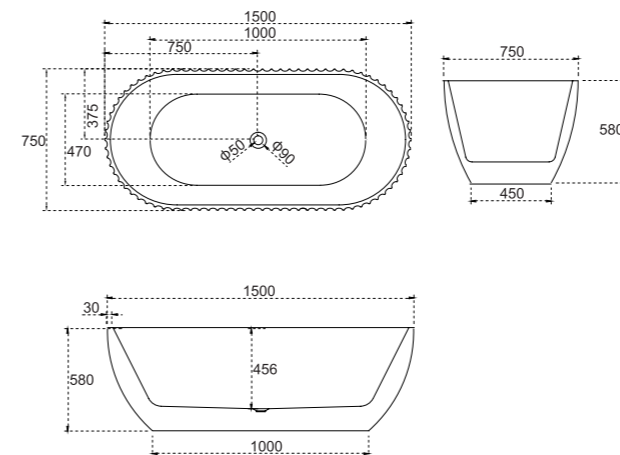
**Features:**

- With Channeled Detailing
- Adjustable Levelling Legs
- Sanitary Grade Acrylic
- Available in two sizes

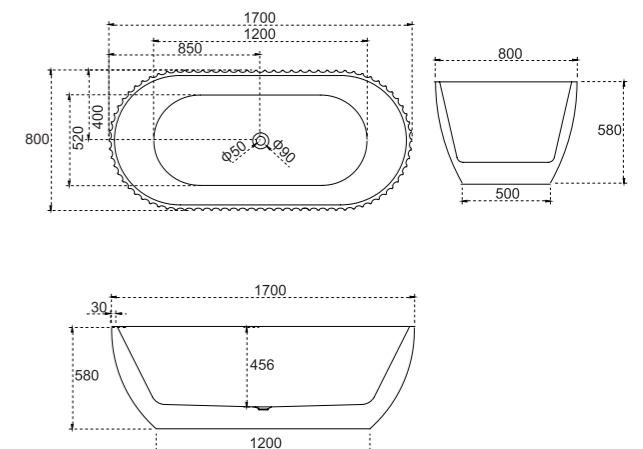
**Colour:** Matt White



**Overflow**



**Size: 1500(L)x750(W)x580(H) mm**  
**Net Weight: 36kg**



**Size: 1700(L)x800(W)x580(H) mm**  
**Net Weight: 42kg**





# LAMONT

**Code:** SY-996

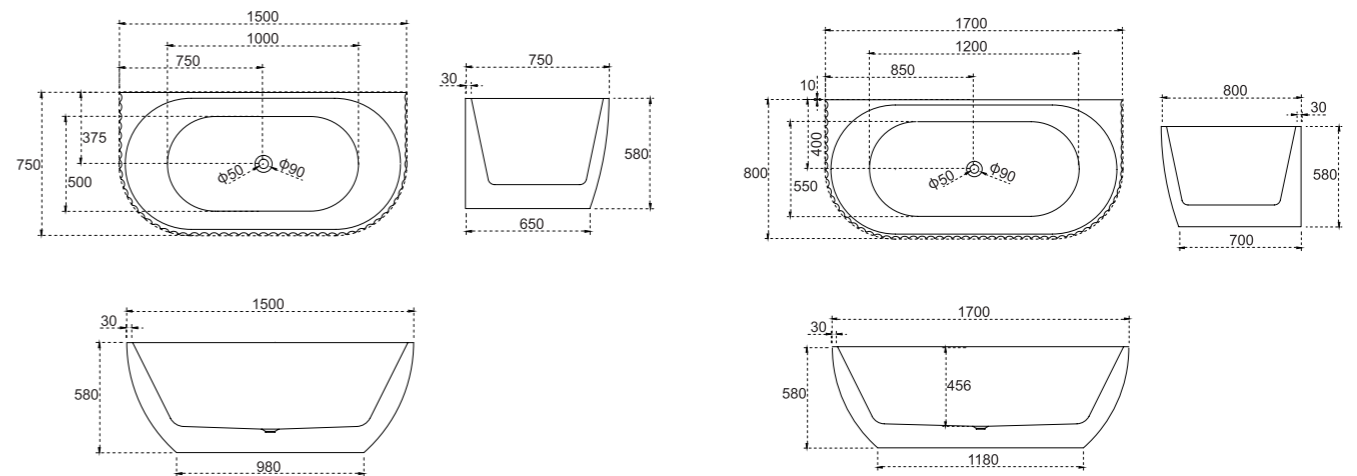
**Features:**

- With Channeled Detailing Back to Wall Design
- Adjustable Levelling Legs
- Sanitary Grade Acrylic
- Available in two sizes

**Colour:** Matt White



**Overflow**



**Size: 1500(L)x750(W)x580(H) mm**  
**Net Weight: 49kg**

**Size: 1700(L)x800(W)x580(H) mm**  
**Net Weight: 53kg**





# TRINA

**Code:** SY-981

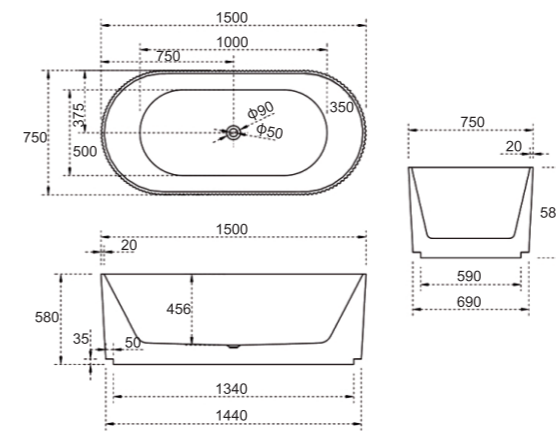
**Features:**

- Fluted Feature Oval Shape Design
- Adjustable Levelling Legs
- Sanitary Grade Acrylic
- Available in two sizes

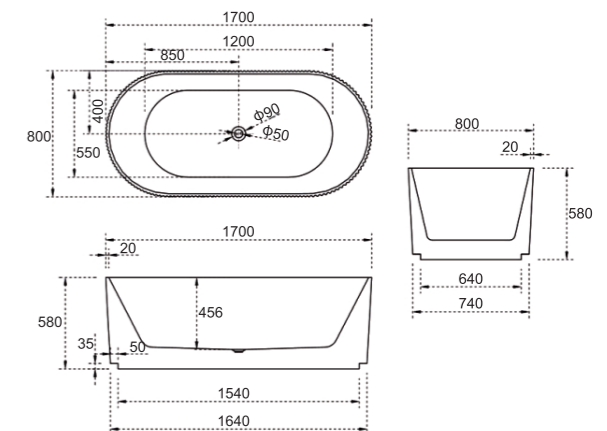
**Colour:** Gloss white/Matt White



**Overflow**



**Size:** 1500(L)x750(W)x580(H) mm  
**Net Weight:** 42kg



**Size:** 1700(L)x800(W)x580(H) mm  
**Net Weight:** 49kg





# KIRA

Code: SY-986

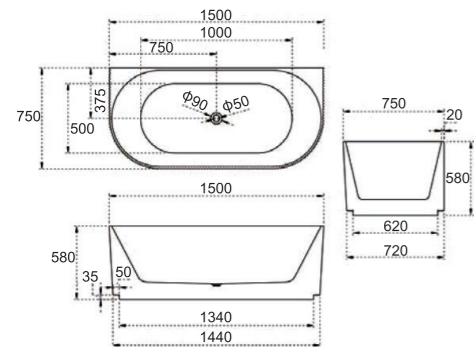
**Features:**

- Fluted Feature Back to Wall Design
- Adjustable Levelling Legs
- Sanitary Grade Acrylic
- Available in two sizes

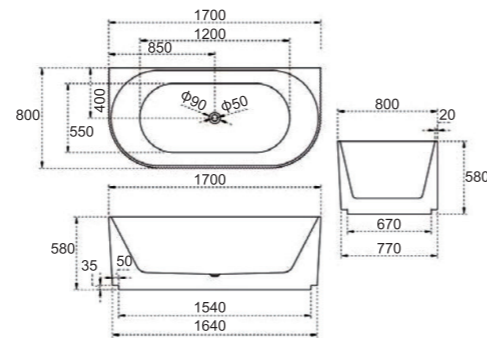
**Colour:** Gloss white



**Overflow**



**Size:** 1500(L)x750(W)x580(H) mm  
**Net Weight:** 50kg



**Size:** 1700(L)x800(W)x580(H) mm  
**Net Weight:** 53kg



# ANIKA

Code: SY-983

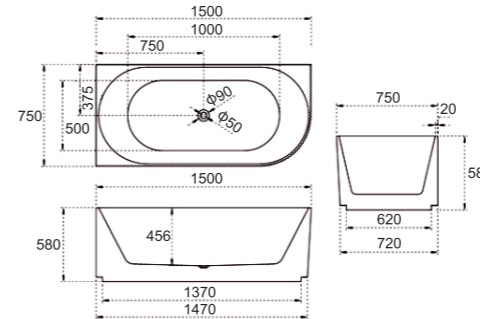
**Features:**

- Fluted Feature Back To Corner Design
- Adjustable Levelling Legs
- Sanitary Grade Acrylic
- Available in two sizes

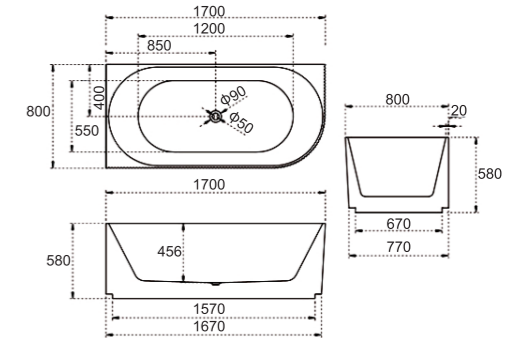
**Colour:** Gloss white



**Overflow**



**Size:** 1500(L)x750(W)x580(H) mm  
**Net Weight:** 53kg



**Size:** 1700(L)x800(W)x580(H) mm  
**Net Weight:** 58kg





# NEVADA

Code: SY-195

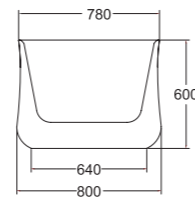
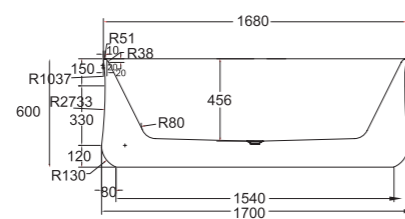
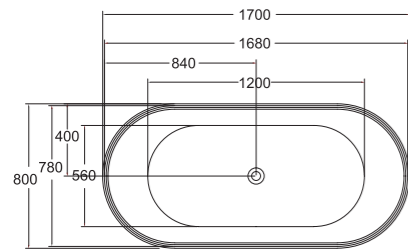
**Features:**

- Elegant and Stylish lines
- Adjustable Levelling Legs
- Sanitary Grade Acrylic
- Available in 1700mm

**Colour:** Gloss white



**Overflow**



**Size:** 1700(L)\*800(W)\*600(H)mm  
**Net Weight:** 40kg



# OLIVIA

Code: SY-611

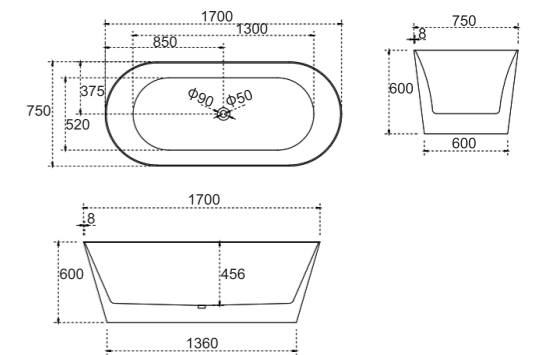
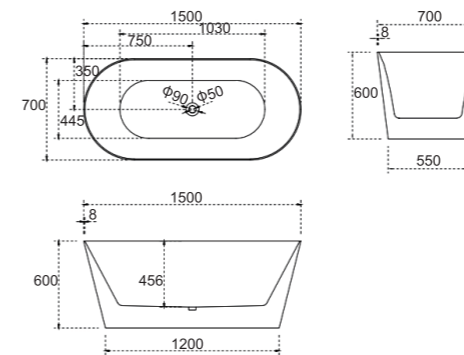
**Features:**

- Modern 8mm Ultra Slim Rims Freestanding Bathtub
- Adjustable Levelling Legs
- Sanitary Grade Acrylic
- Available in two sizes

**Colour:** Gloss white



**Overflow**



**Size:** 1500(L)x700(W)x600(H) mm  
**Net Weight:** 45kg

**Size:** 1700(L)x750(W)x600(H) mm  
**Net Weight:** 48kg





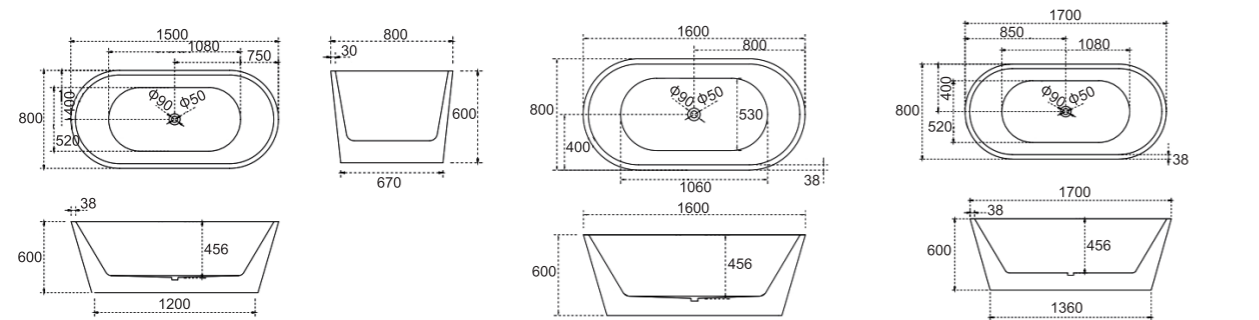
# CHARMING

Code: SY-111

**Features:**

- Modern Freestanding Bathtub
- Adjustable Levelling Legs
- Sanitary Grade Acrylic
- Available in three sizes

Colour: Gloss white



Size: 1500(L)x800(W)x600(H) mm  
Net Weight: 48kg

Size: 1600(L)x800(W)x600(H) mm  
Net Weight: 53kg

Size: 1700(L)x800(W)x600(H) mm  
Net Weight: 57kg

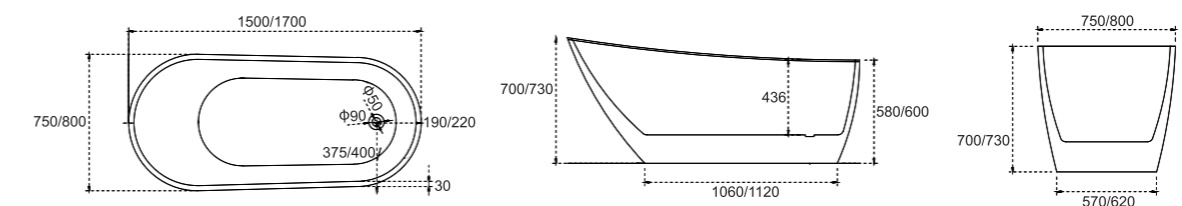
# NOVA

Code: SY-128

**Features:**

- Beautiful Slipper-Style Design
- Adjustable Levelling Legs
- Sanitary Grade Acrylic
- Available in two sizes

Colour: Gloss white



Size: 1500(L)x750(W)x700(H) mm  
Net Weight: 42kg

Size: 1700(L)x800(W)x700(H) mm  
Net Weight: 46kg





# HELIX

**Code: SY-193**

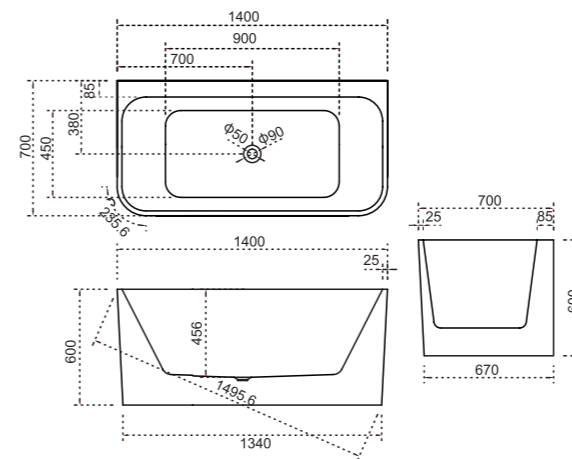
**Features:**

- Stylish Back to Wall Bathtub
- Adjustable Levelling Legs
- High-grade Acrylic Material
- Available in 1400mm and 1500mm

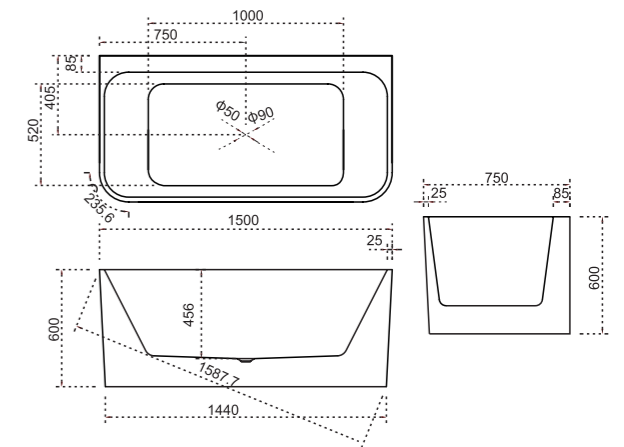
**Colour:** Gloss White



**Overflow**



**Size: 1400(L)\*700(W)\*600(H) mm**  
**Net Weight: 52kg**



**Size: 1500(L)\*750(W)\*600(H) mm**  
**Net Weight: 54kg**





# HANNAH

Code: SY-191

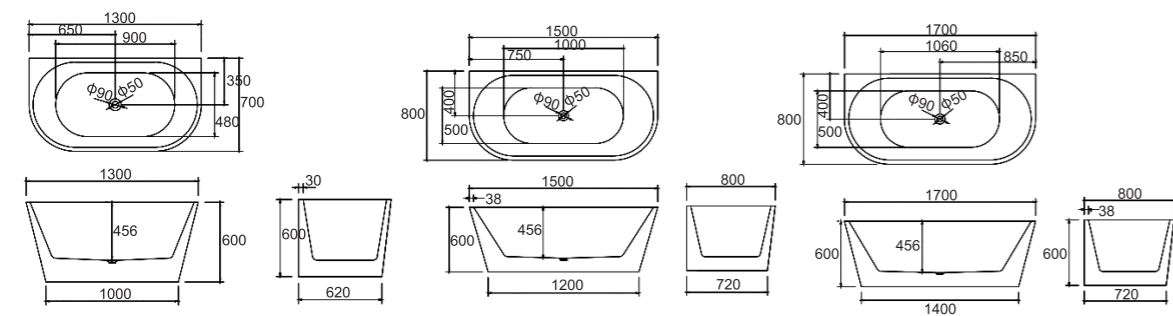
**Features:**

- Modern Back to Wall Bathtub
- Adjustable Levelling Legs
- Sanitary Grade Acrylic
- Available in three sizes

**Colour:** Gloss white



**Overflow**



Size: 1300(L)x700(W)x600(H) mm  
Net Weight: 40kg

Size: 1500(L)x800(W)x600(H) mm  
Net Weight: 46kg

Size: 1700(L)x800(W)x600(H) mm  
Net Weight: 53kg



# HARPER

Code: SY-190

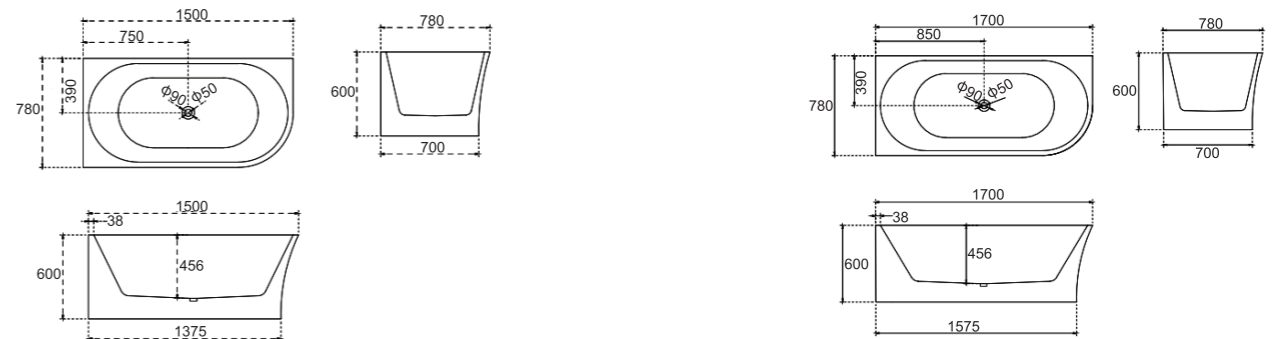
**Features:**

- Modern Back to Corner (L/R) Bathtub
- Adjustable Levelling Legs
- Sanitary Grade Acrylic
- Available in two sizes

**Colour:** Gloss white



**Overflow**



Size: 1500(L)x780(W)x600(H) mm  
Net Weight: 50kg

Size: 1700(L)x780(W)x600(H) mm  
Net Weight: 54kg





**SOLID SURFACE BATH**

---

- 23 LEAH
  - 25 LILAC
- 







# LEAH

**Code:** SI-8807

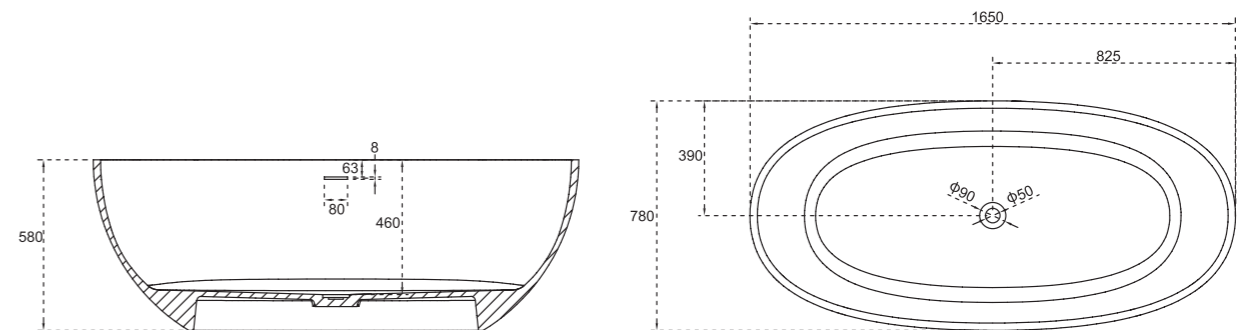
**Features:**

- Cast Stone Solid Surface which preserves durability and longevity
- Modern Freestanding Design

**Colour:** Matt White



**Overflow**



**Size:** 1650(L)x780(W)x580(H) mm  
**Net Weight:** 163kg





# LILAC

Code: SI-8822

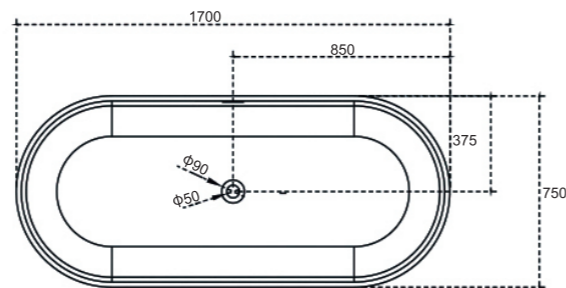
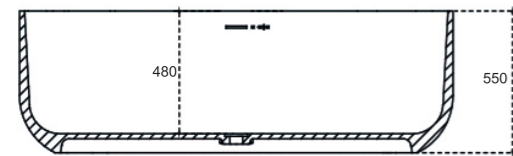
**Features:**

- Cast Stone Solid Surface which preserves durability and longevity
- Modern Freestanding Design

Colour: Matt White



Overflow



Size: 1700(L)x750(W)x550(H) mm  
Net Weight: 195kg

**AZURA**  
BATHWARE

*Relax In Style*